



KETTLE

INSTRUCTIONS FOR USE
SAVE THESE INSTRUCTIONS

BOULLOIRE

MODE D'EMPLOI
CONSERVEZ CE MODE D'EMPLOI

HERVIDORA DE AGUA

INSTRUCCIONES PARA EL USO
REPASE Y GUARDE ESTAS INSTRUCCIONES
LEA CUIDADOSAMENTE ESTE INSTRUCTIVO ANTES DE USAR SU APARATO



MODEL/MODELE/MODELO DSJ04 series

Register this product on-line and receive a free trial issue of Cook's Illustrated. Visit www.delonghiregistration.com
Visit www.delonghi.com for a list of service centers near you.

Enregistrez ce produit en ligne et recevez un numéro gratuit de Cook's Illustrated. Visitez www.delonghiregistration.com
Visitez www.delonghi.com pour y voir une liste des centres de réparation proches de chez vous.

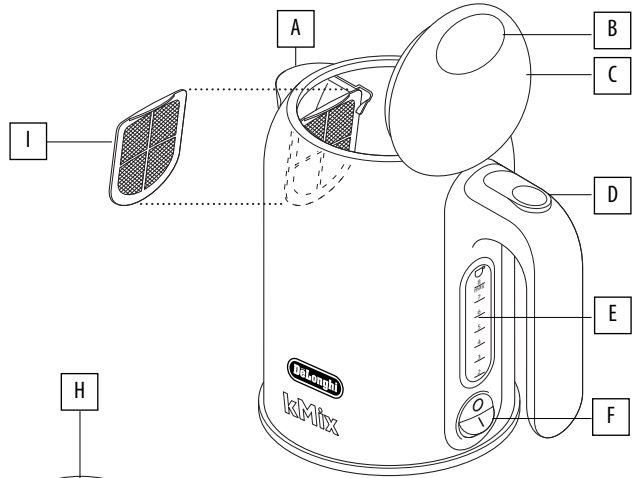
Registre este producto en línea y reciba un ejemplar gratis de Cook's Illustrated. Visite www.delonghiregistration.com
Visite www.delonghi.com para ver la lista de centros de servicios cercanos a usted.

ELECTRIC CHARACTERISTICS/ CARACTÉRISTIQUES ÉLECTRIQUES
CARACTERISTICAS ELECTRICAS
120 V~ 60 Hz 1500 W

EN

DESCRIPTION OF APPLIANCE

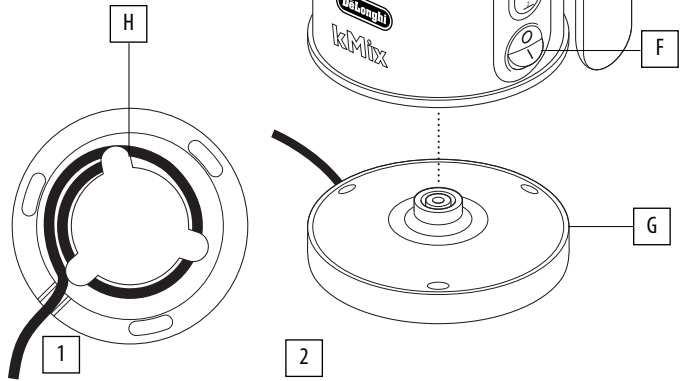
- A spout
- B finger pad
- C flip top lid
- D lid release button
- E water level gauge
- F on/off switch with indicator light
- G 360° powerbase
- H cord wrap
- I filter



FR

DESCRIPTION DE L'APPAREIL

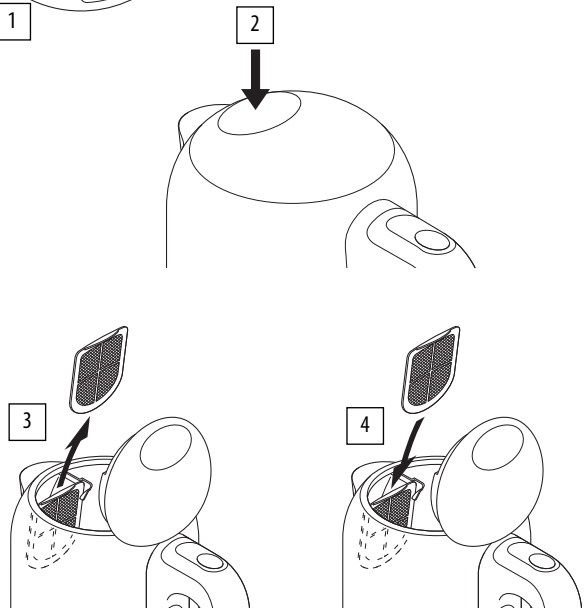
- A bec verseur
- B bouton poussoir
- C couvercle rabattable
- D bouton de déblocage du couvercle
- E niveau d'eau
- F commutateur marche/arrêt avec témoin lumineux
- G socle d'alimentation 360°
- H enrouleur de cordon
- I filtre



ES

DESCRIPCIÓN DEL APARATO

- A pico para verter
- B base digital
- C tapadera abatible
- D tapadera con bisagra
- E indicador nivel de agua
- F interruptor on/off con luz indicadora
- G base eléctrica de 360°
- H recogedor de cable
- I filtro



IMPORTANT INSTRUCTIONS

When using electrical appliances, basic safety precautions should always be followed, including the following: Please read these instructions before operating and retain for future reference.

- **Ensure that your mains supply voltage is the same as that marked on the underside of your kettle.**
- To protect against electrical hazards do not immerse the mains lead, plug power base or kettle in water or any other liquid. Do not use in the bathroom or near any source of water. Do not use outdoors.
- **Do not touch hot surfaces, body or lid. Use handles or knobs.**
- Do not remove the lid while the kettle is boiling.
- Take care when pouring - do not over-tilt the kettle as water may enter into the switch mechanism.
- Water can remain hot for a long time after boiling, and can present a scald hazard. Keep the kettle and the mains lead away from the edge of the work surface and out of the reach of children.
- The appliance is not intended for use by persons (including children) with reduced physical, sensory or mental capabilities, or lack of experience and knowledge, unless they have been given supervision or instruction concerning use of the appliance by a person responsible for their safety. Children should be supervised to ensure that they do not play with the appliance.
- Young children should be supervised to ensure that they do not play with the appliance.
- Do not allow the mains lead to hang over the edge of the table or work surface, or anywhere it may be accidentally caught or tripped over.
- Close supervision is necessary when any appliance is used near children.
- Remove the plug from the mains socket when not in use and before cleaning. Allow the kettle to cool before cleaning. Allow to cool before putting on or taking off parts, and before cleaning the appliance.
- Remove the kettle from its power base before filling.
- Never move the kettle whilst it is in use.
- Do not use the kettle if you have wet hands.
- Keep the kettle, the power base, and the mains lead away from hotplates, hobs or burners or other hot surfaces.
- Do not use the kettle for any purpose other than heating water. Do not place any utensils into the kettle. The use of accessory attachments not recommended by the appliance manufacturer may result in fire, electric shock or personal injury.
- Never use the kettle without it's lid.
- Caution: do not operate on an inclined surface
- Take care when opening the lid - droplets of hot water may be ejected.
- Make sure the kettle is switched off before lifting or pouring.
- Remove the kettle from the base before filling or pouring.
- Never put the kettle near or on cooker hot plates or gas burners. Do not place on or near a hot electric burner, or in a heated oven.
- This kettle is for boiling water only. Do not use appliance for other than intended use.
- Do not move while switched on.
- Position the kettle properly on the power base before switching on.
- Use the kettle only with the power base supplied (and vice versa).
- Do not operate this kettle if the mains lead or plug is damaged, if the kettle malfunctions, or has been damaged in any manner. It must be returned to a service agent for repair or replacement in order to avoid hazard.
- If the supply cord is damaged, it must be replaced by the manufacturer, its service agent in order to avoid a hazard.
- If the kettle is overfilled, boiling water may overflow.
- Failure to observe these cautions may result in damage to the kettle.
- Always put the kettle to the power base first, then plug the cord into the wall outlet.
- To disconnect, turn any control to off, then remove plug from wall outlet.
- Scalding may occur if the lid is removed during the brewing cycles.

SAVE THESE INSTRUCTIONS
For Household use only

SHORT CORD INSTRUCTIONS

- a) A short power-supply cord is to be provided to reduce risks resulting from becoming entangled in or tripping over a longer cord.
- b) Longer, detachable power supply cords or extension cords are available and may be used if care is exercised in their use.
- c) If a long extension cord is used:
 - 1) The marked electrical rating of the detachable power-supply cord or extension cord should be at least as great as the electrical rating of the appliance;
 - 2) The extension cord should be a grounding type 3-wire cord; and
 - 3) The longer cord should be arranged so that it will not drape over the counter top or table top where it can be pulled on by children or tripped over.

Before plugging in

- Make sure your electricity supply is the same as the one shown on the underside of your kettle.

Before using for the first time

- 1 Wrap any excess cord around the bracket on the underside of the powerbase 1.
- 2 Fill to 'MAX', boil, then pour the water away. Repeat 2 to 3 times.

To use your kettle

- 1 Fill the kettle through either the spout or lid. The water level must be between 'MAX' and 1 cup (200mls).
 - Be economical: do not boil more water than you need.
 - To improve the quality of your drinks always use fresh water.
 - Empty the kettle after each use.
- 2 Check the lid is closed. Close the lid by pushing down on the finger pad area 2.
- 3 Plug in and switch on.
- 4 Your kettle will boil and switch off automatically. To re-boil, wait a few seconds - the on/off switch needs time to reset.
 - **If you experience problems with your kettle switching on and off during use or switching off before boiling, check that the flat element is free from limescale - see "descaling".**
 - Your kettle is fitted with a filter to hold back limescale particles.
 - If you find drops of water under your kettle, don't worry - it is just condensation.

Boil-dry protection

- If you switch on with too little water, your kettle will cut out automatically. Switch off, remove from the powerbase and let it cool down before re-filling. When it has cooled down, the switch will reset itself.

Care and cleaning

- Before cleaning, unplug your kettle and let it cool down.

The outside and powerbase

- Wipe with a damp cloth, then dry. Do not use abrasives - they will scratch the metal and plastic surfaces.

The inside

- Even though your kettle comes with a filter, you still need to clean the inside (and the filter) regularly.

The filter

- 1 Open the lid.
- 2 Slide the filter out 3.
- 3 either rinse under the tap or use a soft brush. or when descaling your kettle, drop the filter in too. Rinse thoroughly.
- 4 Slide the filter back in to refit 4.

Descaling

- Regular descaling of the flat element will improve the performance of your kettle. If the kettle is not descaled regularly the build up of limescale may result in the following:
 - problems may be experienced with the kettle switching on and off during use or switching off before boiling.
 - the kettle may take longer to boil.
 - the flat element may be damaged.

Please note: Failure to descale your kettle may invalidate your guarantee.

- When limescale starts to build up on the heating element, buy a suitable descaler and descale your kettle. After descaling, boil with fresh water several times and discard. Clean any descaler off the kettle - it can damage the parts.
- Some regions of the country have chalky water. This makes boiled water look cloudy and leaves a deposit on the side of the kettle. This is normal but can be removed with regular cleaning.
- Alternatively, to reduce limescale build up, use filtered water to fill your kettle.



LIMITED WARRANTY

This warranty applies to all products with De'Longhi or Kenwood brand names.

What does the warranty cover?

We warrant each appliance to be free from defects in material and workmanship. Our obligation under this warranty is limited to repair at our factory or authorized service center of any defective parts or part thereof, other than parts damaged in transit. In the event of a products replacement or return, the unit must be returned transportation prepaid. The repaired or new model will be returned at the company expense.

This warranty shall apply only if the appliance is used in accordance with the factory directions, which accompany it, and on an Alternating current (AC) circuit.

How long does the coverage last?

This warranty runs for one year (1) from the purchase date found on your receipt and applies only to the original purchaser for use.

What is not covered by the warranty?

The warranty does not cover defects or damage of the appliance, which result from repairs or alterations to the appliance outside our factory or authorized service centers, nor shall it apply to any appliance, which has been subject to abuse, misuse, negligence or accidents. Also, consequential and incidental damage resulting from the use of this product or arising out of any breach of contract or breach of this warranty are not recoverable under this warranty. Some states do not allow the exclusion or limitation of incidental or consequential damage, so the above limitation may not apply to you.

How do you get service?

If repairs become necessary, see contact information below:

U.S. Residents: Please contact our toll free hotline at 1-800-322-3848 or log onto our website at www.delonghi.com

Residents of Canada: Please contact our toll free hotline at 1-888-335-6644 or log onto our website at www.delonghi.com

Residents of Mexico: Please contact our toll free number 01-800-711-8805 for assistance or log onto our website at www.delonghi.com

The above warranty is in lieu of all other express warranties and representations. All implied warranties are limited to the applicable warranty period set forth above. This limitation does not apply if you enter into an extended warranty with De'Longhi. Some states/countries do not allow limitations on how long an implied warranty lasts, so the above exclusions may not apply to you. De'Longhi does not authorize any other person or company to assume for it any liability in connection with the sale or use of its appliance.

How does country law apply?

This warranty gives you specific legal rights, and you may also have other rights, which vary from state to state/country to country.